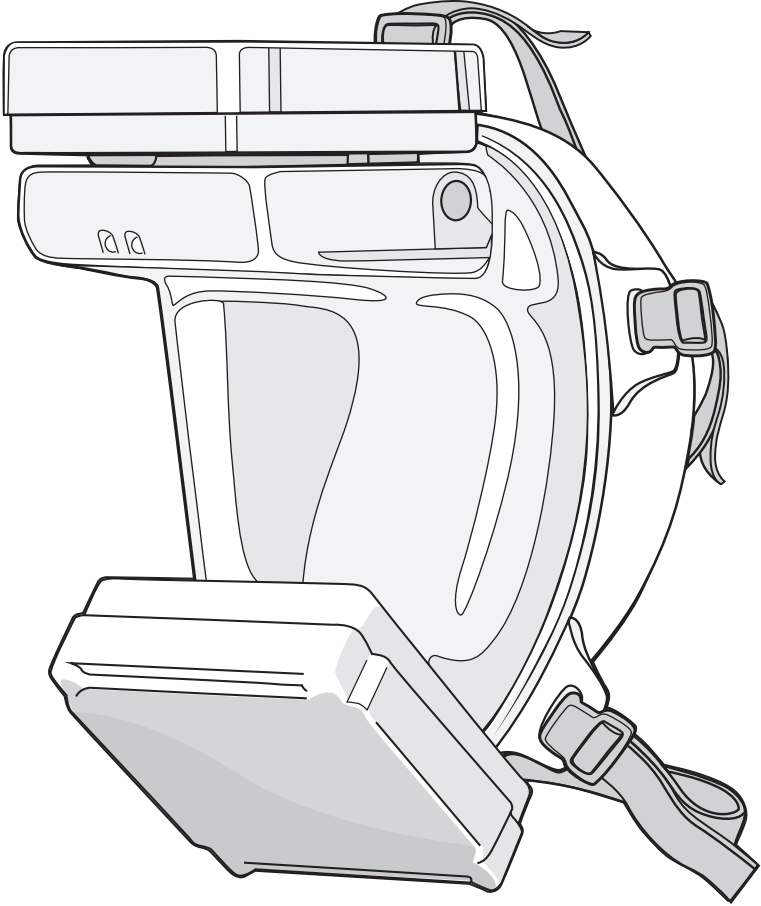


tiki

medical



P/N: 1091-01
EN



ENGLISH MANUAL

www.tikisafety.com

General enquiries: **info@tikisafety.com**
Sales related questions: **sales@tikisafety.com**
Convinced: **order@tikisafety.com**
Phone: +46 8 35 32 49

Tiki Safety AB
Skällstavägen 9
SE-197 40 Bro
Sweden
www.tikisafety.com

Tiki Safety AB performs every effort to produce the Tiki medical mask to superior industrial standards, legal requirements, safety – and comfort for the user.

If you as a user are pleased with the Tiki medical mask, tell your network!

If you are despite our effort, either not fully pleased or presume our Tiki medical mask holds points of improvement, please tell us!

And give us the opportunity to address that challenge and further improve our production standard, we are grateful for your feedback!

Tiki Safety AB makes no representations or warranties with respect to the contents hereof.

In addition, information contained herein are subject to change without notice.

Every precaution has been taken in the preparation of this manual.

Nevertheless, Tiki Safety AB assumes no responsibility for errors or omissions or any damage that results from the use of the information contained in this publication.

Measurements and handling of the Tiki medical mask that are described in this manual assumes optimal conditions.

The time to charge and the operation time may vary depending on: temperature, filter type, amount of particles in the air, breathing intensity of the user etc.

All rights to Tiki medical and this user manual are reserved to Tiki Safety AB.

No parts of this manual may be reproduced in any form without the explicitly written permission from Tiki Safety AB.

All illustrations and text in this user manual are subject to copyright ©2020.

The Tiki medical mask that is described in this user manual is patented worldwide under patent number: D755953.

The user manual in English (EN) is the original manual, the user manuals in other languages are translations.

This manual may change at any time. The latest version is available for download at www.tikisafety.com. Ensure you keep the latest version of the manual on hand for reference.

Table of contents

- 1 Safety.....5**
 - 1.1 Read the user manual.....5
 - 1.2 Training.....5
 - 1.3 Before use.....5
 - 1.3.1 Facial hair.....6
 - 1.3.2 Protruding nose.....6
 - 1.3.3 Glasses.....6
 - 1.4 Prepare the Tiki medical mask.....7
 - 1.5 Training to hazardous mixtures.....7
 - 1.6 Filter limitations.....7
 - 1.7 Material of the Tiki medical mask.....8
 - 1.7.1 Basic components.....8
 - 1.7.2 Batteries.....8
 - 1.8 At use.....9
 - 1.9 Risk situations.....10
 - 1.10 After use.....11
- 2 Design.....12**
 - 2.1 Description.....12
 - 2.1.1 General description.....12
 - 2.1.2 Parts.....12
 - 2.1.3 Pressure sensor.....14
 - 2.2 Buttons and indicator lights.....15
 - 2.2.1 The on / off button.....15
 - 2.2.2 The lights.....15
 - 2.2.3 The button for the lights.....15
 - 2.2.4 Three (3) indicator lights.....16
 - 2.3 Indications of the indicator lights.....16
 - 2.3.1 Blower off.....16
 - 2.3.2 Blower on.....16
 - 2.3.3 Low battery power.....16
 - 2.3.4 Filter warning or leak.....17
 - 2.4 Specifications.....18
 - 2.4.1 Dimensions.....18
 - 2.4.2 Operational conditions.....19
 - 2.4.3 Performance tests.....19
 - 2.4.4 Traceability.....19
 - 2.5 Pictograms.....20
 - 2.6 Intended use.....21
 - 2.6.1 Respiratory protection.....21
 - 2.6.2 Protection against skin and ocular contact.....22
 - 2.7 Not intended use.....22

3 Procedures before use 23
3.1 Test before any use that the mask is tight..... 24
3.2 Prepare the mask for use..... 25
3.3 Read the QR code 26

4. Use procedures..... 27
4.1 Charge the batter(y)(ies) 28
4.2 Use with the external battery..... 29
4.3 Put the Tiki medical mask on..... 30
4.4 Calibrate the blower..... 31
4.5 Adjusting the blower unit speed 31
4.6 Testing the mask during use 32
4.7 Take the Tiki medical mask off 33

5. Maintenance procedures 34
5.1 Cleaning the Tiki medical mask..... 35
5.2 Replace the inhalation filter (white)..... 36
5.3 Replace the exhalation filter (green) 37
5.4 Storage..... 38

6. Disposal..... 39

7. Standards..... 40
7.1 Reports..... 40
7.1.1 Notified body 40
7.1.2 External body..... 40
7.1.3 Performance test 40
7.2 Protection class..... 40
7.3 Regulation standards 41
7.4 Patented design 41
7.5 CE 41
7.6 Declaration of conformity..... 42

8. Warranty..... 43

Copyright Notice and Disclaimer 44

9. Order numbers of parts..... 45

1 Safety

In this user manual the term 'hazardous mixtures' refers to: 'substances and mixtures which are hazardous to health and against harmful biological agents' as defined in EU 2016 / 425 annex II under paragraph 3.10.

1.1 Read the user manual

Read this user manual entirely before using the Tiki medical mask!

Ensure to fully understand every part of this user manual entirely before use of the Tiki medical mask.

1.2 Training

Tiki Safety AB does not provide classroom training on the safety, use or maintenance of the Tiki medical mask.

It is under the responsibility of the user to train her- or himself in: the safety aspects, preparation, use and maintenance of the Tiki medical mask.

Handle the Tiki medical mask correct to these aspects as explained in:

- This user manual.
Hence it is obligated to the user to read it through, thoroughly.
- In the video, on: **www.tikisafety.com/video**

Furthermore, Tiki Safety AB applied dedicated attention on the safe and ergonomic use of the Tiki medical mask towards safe and easy use.

First read this user manual and watch the indicated videos.

If after those the user is still not sure about some aspects of: the safety aspects, preparation, use and maintenance of the Tiki medical mask, Tiki Safety AB advises to:

- Second, ask a person that holds experience with full face cover masks for advice
- Third, contact Tiki Safety AB

1.3 Before use

The Tiki medical mask itself does not raise awareness of the user in regards to health and safety requirements, under the conditions that:

- The Tiki medical mask is used exactly as described in this user manual.
- The instructions of the Material Safety Data Sheet (MSDS) of the hazardous mixtures are obeyed

Read this user manual entirely before the use the Tiki medical mask.

Ensure to fully understand every part of this user manual entirely before using the Tiki medical mask.

The following situations are to be assessed to a potential risk, before the use of the Tiki medical mask.

Such risk assessment is under the responsibility of either the user or the organisation that holds responsibility over the user, as for example the employer of the user.

Before use, the Tiki medical mask is to be tested by the designated user as to the procedure: 3.1 Test before any use that the mask is tight on page 24.

For all the below situations, also refer to paragraph 1.8 At use on page 9.

1.3.1 Facial hair

Facial hair might cause that the seal between the Tiki medical mask and the face of the user is not tight.

This causes the risk that gaps occur between the Tiki medical mask and the face of the user.

Tiki Safety AB advises to – as necessary – shave off facial hair before using the Tiki medical mask.

Pay special attention to the zones where the mask touches the face.

1.3.2 Protruding nose

A protruding nose might touch the inner edge of the Tiki medical mask and cause either:

- Discomfort to the nose of the user
- Or the risk that gaps occur between the Tiki medical mask and the face of the user

Tiki Safety AB designed the Tiki medical mask to industrial standards on ergonomics, yet a situation as a protruding nose can occur.

To prevent the indicated risk, Tiki Safety AB advises to use – if possible – a mask of a bigger size.

Tiki Safety AB advises to bear the discomfort to the nose over the risk that gaps occur.

1.3.3 Glasses

Tiki Safety AB designed the Tiki medical mask to industrial standards on ergonomics in regard to glasses of the user.

Yet, it might occur that the glasses of the user cause that the seal between the Tiki medical mask to the face of the user is not tight.

This causes the risk that gaps occur between the Tiki medical mask and the face of the user.

Therefore, Tiki Safety AB advises to:

- Assess this risk before the use of the Tiki medical mask
- Wear contact lenses in combination with the mask, if possible

1.4 Prepare the Tiki medical mask

Do not yet prepare the Tiki medical mask, obey to these safety precautions at the preparation of the Tiki medical mask.

Prepare the Tiki medical mask as to the procedure: 3.2 Prepare the mask for use on page 25, yet at this preparation, do not remove the red sticker (if fitted) at the top left of the mask!

If this red sticker at the top left of the mask is either not present or accidentally removed, do not use that mask without an external battery or the screw seal issued with the mask.

A mask without that red sticker at the top left of the mask is safe to use with an external battery, or screw seal issued with mask!

1.5 Training to hazardous mixtures

Mark that Tiki Safety AB produces the Tiki medical mask as a Personal Protective Equipment (PPE) as defined in EU 2016 / 425 annex II under paragraph: 3.10 '*Protection against substances and mixtures which are hazardous to health and against harmful biological agents*'.

Therefore, it is not under the responsibility of Tiki Safety AB to train the users of the Tiki medical mask to the risks of these hazardous mixtures.

To train the users of the Tiki medical mask to the risks of hazardous mixtures, is under the responsibility of either the user or the organisation that holds responsibility over the user, as for example the employer of the user.

Tiki Safety AB recommends that the user receives training on the risks and preventive – and protective measures to control exposure to hazardous mixtures.

1.6 Filter limitations

Note that the P3 particle filters of the Tiki medical mask have – as any other filter – limitations.

Therefore, verify that the filters of the Tiki medical mask is in line with the intended use and protects the user to the expected risks in the environment of use.

Therefore, also refer to the paragraphs:

- 2.5 Pictograms on page 20
- 5.2 Replace the inhalation filter (white) on page 36
- 5.3 Replace the exhalation filter (green) on page 37

Inhalation filter (white) must only be used as an inhalation filter! Not as an exhalation filter!

Exhalation filter (green) must only be used as an exhalation filter! Not as an inhalation filter!

The filters hold on their top right the next logo:

the information next to these logos indicate the time limit for the storage of new filters, as kept in their original packaging.



This indication is: an abbreviation for the month in three (3) syllables (English spelling) and the year.

Do not use a filter after this indicated life time period!

1.7 Material of the Tiki medical mask

Assembly	Part name	Material
Inhalation filter (white)	Filter cover(white)	ABS
Exhalation filter (green)	Filter cover (green)	ABS
Mask	Seal collar	ThermoPlastic Elastomer (TPE)
Harness	Clip	Nylon
Mask	Mask visor small / medium / large	PETG
Blower	Blower cover	ABS
Harness	Triglide	POM
Mask	Outlet valve seat	PETG
Mask	Outlet valve membrane	Silicone
Harness	Harness	PA, rubber
Mask	Chin protection	CR expanded
External battery	Battery clips with screws	ABS, Steel

1.7.1 Basic components

The Tiki medical mask holds the basic components as described in paragraph:

2.1 Description on page 12.

These basic components are manufactured in the materials as indicated below.

None of these materials expose the user of the Tiki medical mask to a health or a safety issue.

1.7.2 Batteries

The blower with the internal battery and the external battery contain both lithium polymer (LiPo) batteries.

Therefore, obey the following precautions:

- Do not dispose a LiPo batteries in a fire or subject it to extreme heat
- Do not disassemble
- Do not use a LiPo battery if it shows signs of mechanical damage or swelling
- Do not use a LiPo battery in either heavy rain, a shower or submerge it in water
- Immediately stop charging or disconnect battery from other appliances should the battery go warm
- Do not charge a Li polymer battery in an ambient temperature of less than 0° C

In the unlikely event that the battery of the blower is damaged and electrolyte seeps out, ensure that the electrolyte does not get in contact with the eyes of the user.

In the unlikely event that electrolyte comes in contact with the eyes of the user:

- In a safe environment, flush the eyes with water
- Seek medical attention, immediately

1.8 At use

For safe use, it is imperative that the Tiki medical mask forms a tight seal to the face of the user.

If the Tiki medical mask does not form a tight seal to the face of the user, the risk exists that:

- Through gaps between the Tiki medical mask and the face of the user hazardous mixtures enter in the enclosed air volume between the Tiki medical mask and the face of the user and hence no longer prevent contact of the user to hazardous mixtures!

Therefore, it is imperative that the user handles and adapts the Tiki medical mask as indicated in:

- The use procedures in this manual, refer to:
 - > 3 Procedures before use on page 23
 - > 4 Use procedures on page 27
 - > 5 Maintenance procedures on page 34
- The video, on: www.tikisafety.com/video

The risk that hazardous mixtures enter the enclosed air volume between the Tiki medical mask and the face of the user depends on the verification of the user that the seal is tight.

As extra measure to reduce this risk, Tiki Safety AB designed the Tiki medical mask, as a mask with positive pressure.

This means that the pressure of the air in the enclosed air volume between the Tiki medical mask and the face of the user is higher than the ambient air pressure.

And thus the air flows in through the filter at the top and flows out through the exhalation valve and filter at the bottom.

As a consequence:

- If due to improper use, a gap occurs in the seal between the Tiki medical mask and the face of the user occurs, air is pushed out in optimal conditions to prevent that hazardous mixtures come in
- If due to improper use and despite the positive pressure, hazardous mixtures get in the enclosed air volume between the Tiki medical mask and the face of the user, the positive pressure pushes the hazardous mixtures out through the exhalation valve

If a gap occurs and there is a negative pressure for a given time, this is detected and a sound and visible alarm is generated, therefore also refer to: 2.3.4 Filter warning or leak on page 17.

Mark that if a gap occurs between the Tiki medical mask and the face of the user, the energy use of the Tiki medical mask is higher and hence the battery time lower.

Therefore, obey to the instructions in relation to the use of the Tiki medical mask at all times.

Mark that incorrect use of the Tiki medical mask voids warranty.

1.9 Risk situations

As the Tiki medical mask does not supply oxygen (O₂), do not use the Tiki medical mask in atmospheres with a reduced oxygen (O₂) level of less than 19,5 %.

As the Tiki medical mask is equipped with a battery, the functionality of the Tiki medical mask depends on the battery time.

It is under the responsibility of the user to monitor the energy level of the battery before use and monitor that energy level at use, at all times.

If the energy level of the battery level is too low, a risk situation occurs.

The following situations mark that either the energy level of the battery is too low or the Tiki medical mask is not fully functional:

- The alarm sounds for low battery warning
- The airflow to the mask decreases or stops
- Symptoms that indicate an exposure to the hazardous mixtures as indicated on the Material Safety Data Sheet (MSDS) of the hazardous mixture
- Other

As a risk situation occurs, the user has to leave the environment with the hazardous mixture and move either self or with aid to an environment that is considered as safe.

1.10 After use

Obey to the indications of the Material Safety Data Sheet (MSDS) of the hazardous mixture.

Obey to the instructions to transit from the environment with the hazardous mixture to a safe environment.

Mark that it is not under the responsibility of Tiki Safety AB to elaborate such instructions.

It is under the responsibility of either the user or the organisation that holds responsibility over the user to elaborate such instructions.

In a safe environment and as adhered to the instructions to transit, take the Tiki medical mask off as to the procedure: 4.7 Take the Tiki medical mask off, on page 33.

Clean the Tiki medical mask after use, therefore refer to:

- The MSDS of the hazardous mixture
- The procedure: 5.1 Cleaning the Tiki medical mask on page 35

If the hazardous mixture is of such nature that either the inhalation filter of the Tiki medical mask or in very extreme conditions the entire Tiki medical mask is to be disposed after use, refer to:

- The MSDS of the hazardous mixture
- The procedure: 5.2 Replace the inhalation filter on page 36
- Chapter 6 Disposal on page 39

2 Design

2.1 Description

2.1.1 General description

The Tiki medical mask is:

- A Powered Air Purifying Respirator (PAPR)
- A mask that covers the entire face of the user
- Equipped with two (2) filters: the inhalation filter (white) and an optional exhalation filter (green), both (2) are P3 particle filters

The inhalation filter (white) is a filter that purifies the air that comes in to the enclosed air volume between the Tiki medical mask and the face of the user. And thus provides filtered air to the user to inhale.

The exhalation filter (green) is a filter that purifies the air that goes out from the enclosed air volume between the Tiki medical mask and the face of the user. And thus purifies the air that the user exhales.

Therefore, the Tiki medical mask can for example be used in a medical environment where patients hold a suppressed immunity system due to sickness or other reason.

This to prevent that such patients are infected involuntarily with aerosol or droplet pathogens of the medical personnel.

2.1.2 Parts

Aside the below indicated, the Tiki medical mask is shipped with the following items that are not indicated on figure 1:

- This user manual
- A small half-circle shaped chin protection

The battery charger is shipped with four (4) power plugs that can be changed as to the local standard of the client.

The battery charger is a standard AC to DC adapter with input: 100 – 240 V, 50 – 60 Hz and 0,7 Amp.

The Tiki medical mask is composed of the following parts.

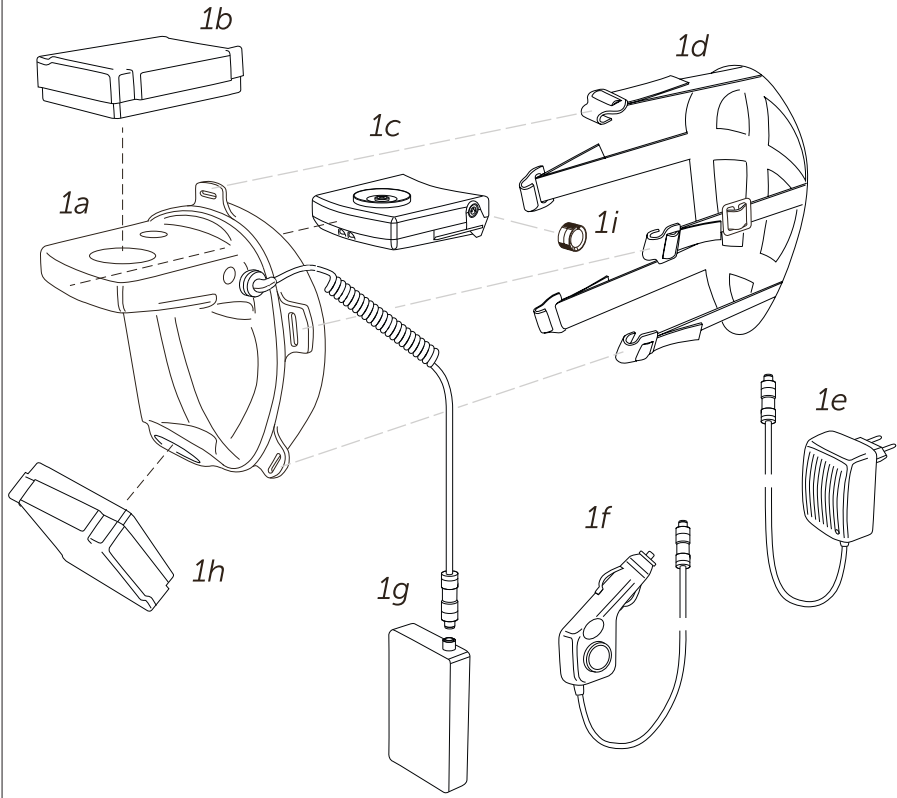
Also refer to figure 1 on the next page.

- **The mask** (visor) in PET and TPE
- **The harness**, made of elastic webbing and clips in nylon.

Unless it is exposed in hazardous environments, to contagious pathogens or other harmful particles, the harness can be reused

- **The blower** contains the fan, the work lights, the operational buttons and warnings.
It automatically adjusts airflow in accordance to the demand inside the mask to maintain a positive pressure.
The blower contains a LiPo battery that as fully charged runs the blower for minimal 60 minutes.
- **The inhalation filter (white)** is a P3 particle filter.
Mark that the Tiki medical mask includes only particle filters and is therefore not be used in areas that contain gaseous solvents and other hazardous airborne contagions that a P3 particle filter does not remove.
The inhalation particle filter is composed of ABS plastics and HEPA fibreglass media.
- **The exhalation filter (green)** is a P3 particle filter.
Mark that the Tiki medical mask includes only particle filters and is therefore not be used in areas that contain gaseous solvents and other hazardous airborne contagions that a P3 particle filter does not remove.
The exhalation particle filter is composed of ABS plastics and HEPA fibreglass media.
- **The battery charger**, supplies electric power to the internal battery of the blower and the external battery. The batteries have to be charged separately, internal battery first, followed by external battery if applicable.
Always charge batteries supervised, and never charge batteries when the battery temperature is less than 0° C.
- **External battery** is an option and sold separate.
The external battery is a clip-on unit that contains a larger LiPo battery.
It connects to the blower with a cable and screw fitting.
This increases the battery life for minimal 6 hours, provided that the seal is tight.

Fig. 1



The Tiki medical mask holds the following components as indicated on figure 1:

- 1a The mask, that covers the entire face of the user
- 1b The inhalation filter (white)
- 1c The blower with internal battery
- 1d The harness
- 1e The battery charger
- 1f The car charger, optional
- 1g The external battery pack with cable, optional
- 1h The exhalation filter (green)
- 1i The screw seal

2.1.3 Pressure sensor

The blower of the Tiki medical mask contains a pressure sensor.

This pressure sensor detects through the little hole on top of the visor the pressure in the mask.

The speed of the blower in the blower adapts automatically to create a positive pressure of 0.2 mbar.

Therefore, it is important that the user calibrates the blower at every use of the Tiki medical mask and as the user enters another space as for example: inside versus outside, floor, operating room etc.

Refer to the procedure: 4.4 Calibrate the blower on page 31.

2.2 Buttons and indicator lights

The blower of the Tiki medical mask and hence the Tiki medical mask contains the following buttons, lights and indicator lights.

The buttons can be used as the blower is positioned in the mask.

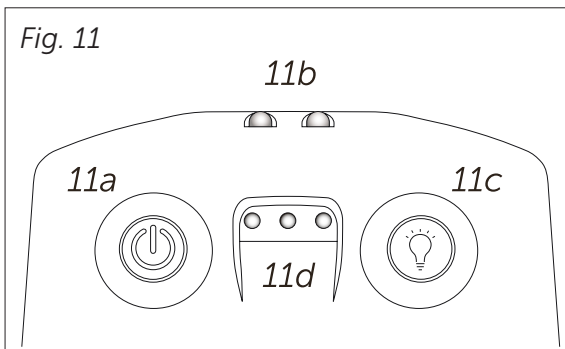
Refer to figure 11:

11a The on / off button

11b The lights to apply extra light at the work spot

11c The button for the lights at 11b

11d Three (3) indicator lights



2.2.1 The on / off button

Use the on / off button to:

- Calibrate the blower unit according to: 4.4 Calibrate the blower, on page 31.
- Start and stop the blower unit.
To do so, press and hold the on / off button for 3 seconds
- Adjust the blower unit speed according to: 4.5 Adjusting the blower unit speed, on page 31

2.2.2 The lights

Use the lights to cast extra light on the working area.

2.2.3 The button for the lights

Use the button for the lights to:

As the blower is 'on', switch on or switch off the lights

2.2.4 Three (3) indicator lights

The Tiki medical mask holds three (3) indicator lights: 11d on figure 11.
Mark that figure 11 shows the underside of the blower with the on / off button on the left.

Yet, as the Tiki medical mask is in use, the blower is above the eye-line of the user and hence the on / off button is on the right!

In the below description, the symbols for the three (3) lights are:



The indicator light is off and thus emits no light.



The indicator light is on and thus emits light.



The indicator light flashes and thus emits light on and off.

2.3 Indications of the indicator lights

2.3.1 Blower off

None of the indicator lights are on, this indicates that the blower is off.
If after attempts to start the blower, the indicator lights do not emit light and the sound of the blower can not be heard, charge the battery.

2.3.2 Blower on



The indicator light that is closest to the on / off button is on.
This indicates that the blower is on.
The indicator light remains on as long as the blower is on.

2.3.3 Low battery power



The indicator light that is closest to the on / off button is on.
The indicator light that is the most away from the on / off button flashes.
The blower emits an alarm sound every five (5) seconds.
This indicates that the battery power is low.

Note that the power-off state, is considered an abnormal situation.

The battery power is sufficient for another 15 minutes.

As this alarm of lights and sound emits, the user has to:

- Leave the hazardous environment
- Charge the internal battery of the blower unit
- As necessary, charge the external battery

2.3.4 Filter warning or leak



The indicator light that is closest to the on / off button is on.

The other two (2) indicator lights flash.

The blower emits an alarm sound every one (1) second.

This indicates that either:

- The inhalation filter is blocked
- A major leak occurred

In either situation, the user has to:

- Leave the hazardous environment
- Evaluate what caused either the leak or the situation with the filter
- If a situation with the inhalation filter occurred, replace the filter as to:
5.2 Replace the inhalation filter on page 36
- If a leak occurred due to a mechanical issue, please replace the faulty parts according to the individual instructions in chapter 3 from page 23
- If a leak occurred to an unknown reason, refer to:
1.3 Before use on page 5
- If either of the above is the reason for the alarm, contact Tiki Safety AB

2.4 Specifications

2.4.1 Dimensions

The Tiki medical mask is available in three (3) sizes: small, medium and large.

The dimensions of the Tiki medical masks are designed to ergonomic industrial standards.

The Tiki medical masks have as prepared for use, the following weight in gram (g), 'as prepared for use', includes:

- The visor of the mask with seal collar, that covers the entire face of the user
- The particle filters
- The blower with internal battery
- The harness

The total weights are the following, these are the weights for the composed masks:

- In size small 430 g
- In size medium 440 g
- In size large 450 g

Note that the design of the Tiki medical mask has a ergonomic shape with contact around the entire face and a harness that tightens the mask at the back of the head.

This design distributes the weight over the entire head and leads to efficient and ergonomic comfort.

Item	Specifications
Battery warning time	> 15 min (normal conditions)
Minimum free-flow air	200 l / min
Minimum filter free-flow	100 l / min
Pressure trigger	≤ 0.2 millibar
Pressure alarm	> 2 seconds negative pressure
Battery charge specification	Input 100 V – 240 V AC, output 0.7 A DC
Visor of the mask, small	92 g
Visor of the mask, medium	102 g
Visor of the mask, large	112 g
Blower	165 g
Inhalation filter	70 g
Exhalation filter	70 g
Harness	33 g
External battery	200 g
Battery cable	48 g

2.4.2 Operational conditions

The Tiki medical mask is designed for use in an operational temperature between minus (-) 10° C to 45° C and a Relative Humidity (RH) of under 90%.

Do not use the Tiki medical mask in an environment with a RH of over 90%.

Charge the batteries in an environment with a temperature between 5° C to 30°C, in accordance to: 4.1 Charge the batter(y)(ies) on page 28.

2.4.3 Performance tests

Every Tiki medical mask has been subjected to verification and tests in its production phase.

As the seal collar is installed on the visor of the mask, the combination is positioned on an artificial test 'face'.

In this test configuration a vacuum is applied to the enclosed air volume between the Tiki medical mask and the face of the user for a pre-set time.

The test measures whether the mask can hold the vacuum for the pre-set time.

Only masks that hold the vacuum for the pre-set time are validated and further processed in the production.

Masks that do not hold the vacuum for the pre-set time are not validated and not further processed in the production.

The test installation generates information on the tests and saves this information.

2.4.4 Traceability

As every Tiki medical mask holds a unique number, the information of the respective performance test of each mask is traceable from the production to the end-user.

Please mark that this information is only available for legal incident investigation on request to Tiki Safety AB.

Also refer to the procedure to read the Quick Response (QR) code at:

3.3 Read the QR code on page 26.

2.5 Pictograms

The following markings on the filter are to EN 12942, do not confuse to any other European standard or other standard.

Note that the Tiki medical mask holds the following pictograms:

- The part-number of the parts, indicated with 'P/N'
- The indication of the applicable standard
- A Quick Response (QR) code



Never ever open the filter.



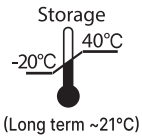
Recycle symbol that indicates that the respective part is recyclable, if not contaminated.



Storage in an environment with a Relative Humidity (RH) that is lower than 60 %.



Indication that a battery is present.



Storage in an environment with a temperature between minus (-) 20° C and + 40° C for short storage. Storage in an environment with a temperature of around 21° C for long term storage.



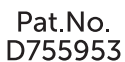
Warning symbol on the fact that the Li – ion battery is to be recycled separate.



Warning symbol on the fact that the respective part is to be disposed to a dedicated waste disposal process.



CE conformity indication to EU directive 2016/425.



Indication of the applicable patent number.



Hourglass, next to the hourglass are the month and the year indicated the expiry date of the part. Note this is the storage time for an un-opened package. Also refer to paragraph: 1.6 Filter limitations on page: 7.



Refer to the user – and maintenance manual of the Tiki medical mask.

2.6 Intended use

The Tiki medical mask is designed as to the 'PPE directive' EU 2016 / 425, annex II, paragraph 3.10.

And therefore, offers protection against substances and mixtures which are hazardous to health and against harmful biological agents.

The Tiki medical mask offers:

- Respiratory protection
- Protection against cutaneous and ocular contact

2.6.1 Respiratory protection

The Tiki medical mask is intended for the protection of the human respiratory system.

And enables to supply the user with breathable air when exposed to a polluted atmosphere.

The Tiki medical mask holds two (2) filters: an inhalation filter (white) and an exhalation filter (green).

The inhalation filter (white) supplies breathable air to the user.

The exhalation filter (green) filters the user's exhaled air from hazardous mixtures and pathogens that the user carries.

The constituent materials of the Tiki medical mask are indicated at sub-paragraph: 1.7.1 Basic components on page 8.

These constituent materials are specifically chosen, designed so and incorporated so as to ensure appropriate user respiration and respiratory hygiene for the period of wear concerned under the foreseeable conditions of use.

And the leak tightness of the mask that covers the entire face, and the pressure drop on inspiration, and the purification capacity of the filter,

keeps the contaminant penetration from a polluted atmosphere low enough so that no prejudicial dangerous to the health or hygiene of the user occurs.

The Tiki medical mask bears the following details as the specific characteristics as indicated in paragraph:

- 2.5 Pictograms on page 20
- 7.5 CE on page 41

2.6.2 Protection against skin and ocular contact

The Tiki medical mask is intended to prevent that the face of the user gets in contact with substances and mixtures which are either hazardous to health or with harmful biological agents.

The Tiki medical mask prevents the penetration and permeation of such substances, mixtures and agents through the protective integument under the foreseeable conditions of use for which the Tiki medical mask is intended.

To this end, the constituent materials of the Tiki medical mask are chosen, designed and incorporated so as to ensure – as far as possible and under the condition that the user handles the Tiki medical mask as to the use procedures in this user manual – offers complete leak-tightness, that allows prolonged daily use or and failing this, limited leak-tightness necessitating a restriction of the period of wear.

2.7 Not intended use

The Tiki medical mask is under no conditions to be used as either a breathing apparatus to dive, a snorkel or a device for underwater exploration.

The Tiki medical mask is **not** intended to:

- Protect the user in liquids
- Aid as a device to add buoyancy to the user.
- Be used in ATmosphères EXplosives (ATEX) zones with potentially explosive atmospheres
- Be used as a breathing apparatus in firefighting
- Be used as a protection device for the face to manipulate electrical systems either or not under tension
- Be used a protective device to prevent damage to the eyes in conditions were either non-ionising radiation or ionising radiation is to be expected

The Tiki medical mask is not to be used for applications and situations it is not intended for, only for applications and situations as described under paragraph: 2.6 Intended use on page 21.

3 Procedures before use

In the chapters: 3 Procedures before use, 4 Use procedures and 5 Maintenance procedures, every paragraph is a separate, topic-based procedure.

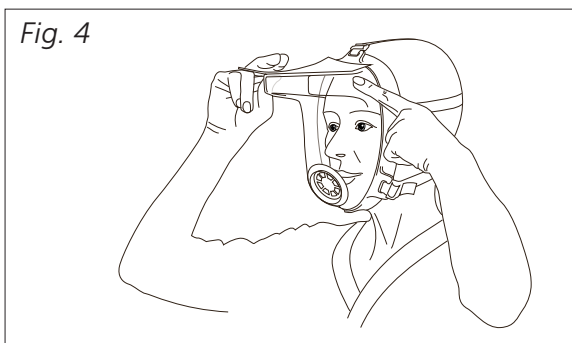
The paragraphs and thus the topic-based procedures are deliberately positioned on one (1) page per one (1) procedure.

This lay-out is intended to enable that the end-user can produce quick reference cards for distribution in their internal organisation.

Note that, at every time, every procedure is a part of this user manual as an integral part of it.

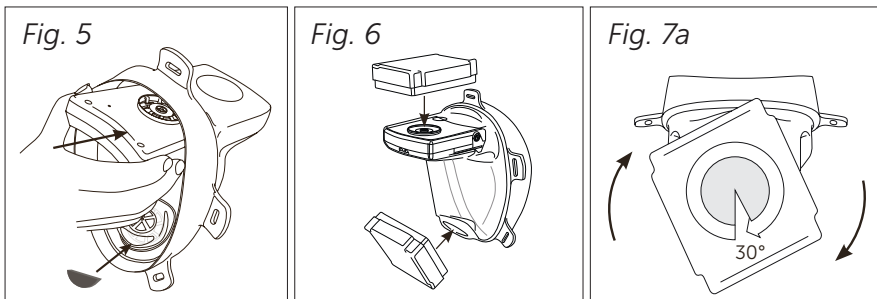
3.1 Test before any use that the mask is tight

1. Unpack the parts out from the 'TikiSTART Starter Pack' and position the parts on a table.
2. Verify that all parts are present as to paragraph: 2.1 Description on page 12.
If any part is not present, contact Tiki Safety AB as to the contact details on page 2.
3. Take the mask – and the mask only – with one hand.
4. Position a sheet of paper on top of the mask to seal the two (2) holes. Then cover the hole on the side with your finger, see fig 4.
5. Position the mask to the face of the user and push it tight to the face.
6. Try to breathe in, two (2) possibilities occur:
 - a. The user can **not** breathe in and a vacuum occurs in the enclosed air volume between the mask and the face of the user.
This is **good** and proves the seal is OK.
 - b. The user can breathe in and a vacuum does **not** occur in the enclosed air volume between the mask and the face of the user.
This is **not good** and proves the seal is **not** OK.
7. In case the situation 6a occurred, take off the mask and remove the paper.
8. In case the situation 6b occurred, evaluate what caused that the seal was not tight, perform the following:
 - a. Perform the above procedure again.
 - b. Evaluate whether the seal collar of the mask was damaged as the mask was unpacked.
 - c. Refer to the safety situations under: 1.3 Before use on page 5.
 - d. As the masks come in three (3) sizes: small, medium and large, perform the same test with a mask of another size.
 - e. If either size of the mask fits the user, or none of the above explains the failed tests, contact Tiki Safety AB.



3.2 Prepare the mask for use

1. Refer to figure 1 in paragraph 2.1 Description on page 12.
2. Attach the harness (1d on figure 1) to the mask (1a on figure 1).
3. Evaluate whether the chin protection (part number 1055-01) is to be installed.
Stick the chin protection on to the surface in front of the exhalation valve (Fig. 5).
4. Position the internal blower as to figure 5.
5. Hold the blower on the inside of the mask and while holding it, position the inhalation filter in a 30° angle to the blower as to figure 6.
Observe the direction to the face as indicated with the text and arrows:
'This side to the face'.
6. Turn the inhalation filter (white) from the 30° to a 0° angle to attach the inhalation filter (white) to the blower, as to figure 7a.



7. Position the exhalation filter (green) in a 30° angle to the axes of the mask as to figure 6.
Observe the direction to the face as indicated with the text and arrows:
'This side to the face'.
8. Turn the exhalation filter (green) from the 30° to a 0° angle to attach the exhalation filter to the mask, as to figure 7a.

3.3 Read the QR code

This procedure is not obligated for safe or practical use.

Read the Quick Response (QR) code of the Tiki medical mask to retrieve the serial number of the part of the mask.

1. Use a smartphone with an application to read a QR code.
2. Read the QR code of the part of the Tiki medical mask.
3. The serial number of the part is indicated on the smartphone.
4. The serial number has the format: PNT1010-01D21B12345.
 - a. PN stands for 'part number'.
 - b. The next six (6) numbers and hyphen indicate the part number.
 - c. D stands for 'date'.
 - d. The next four (4) numbers indicate the year with two (2) numbers and month of production with two (2) numbers.
 - e. B stands for 'batch'.
 - f. The next two (2) numbers indicate the batch in which the part is manufactured.
5. The complete serial number can also be used for incident communication with Tiki Safety AB.

Tiki Safety AB holds dedicated test reports on vital parts of the Tiki medical mask. Note this is for incident communication only.

4. Use procedures

In the chapters: 3 Procedures before use, 4 Use procedures and 5 Maintenance procedures, every paragraph is a separate, topic-based procedure.

The paragraphs and thus the topic-based procedures are deliberately positioned on one (1) page per one (1) procedure.

This lay-out is intended to enable that the end-user can produce quick reference cards for distribution in their internal organisation.

Mark that at every time, every procedure is a part of this user manual as an integral part of it.



Warning biohazard

In the procedures of the chapters 4 Use procedures and 5 Maintenance procedures, ensure not to contaminate the user to the hazardous mixtures on the outside of the mask.

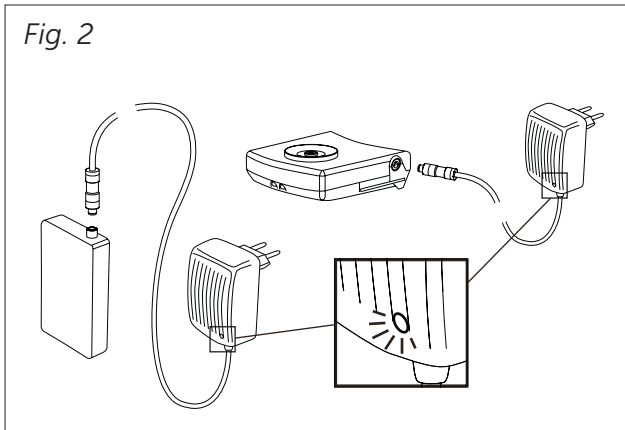
Note it is under the responsibility of either the user or the organisation that holds responsibility over the user, to elaborate either an applicable procedure or a work order to prevent this risk on contamination.

Follow at all times this procedure and / or work order.

4.1 Charge the batter(y)(ies)

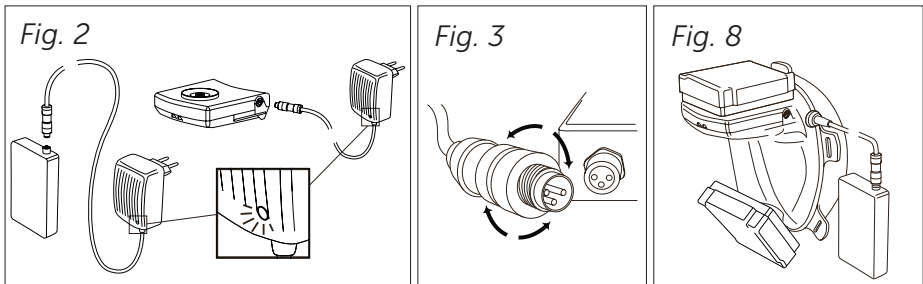
1. Do not charge the batteries in an environment with temperatures below 0° C!
2. Note that the Tiki medical mask can be used with or without the external battery. Even if the external battery is used, charge the internal battery completely. Note that the external battery is optional and is to be ordered separately.
3. Connect the battery charger (1e on figure 1) to the batteries.
4. If the indicator light on the battery charger is red, the battery is charging.
5. If the indicator light on the battery charger is green, the battery is fully charged, refer to figure 2.
6. If only the internal battery is used, the Tiki medical mask is ready for use as the internal battery is charged.

Note – If the battery charger does not have a charge indicator light, please read the instructions accompanying this charger.



4.2 Use with the external battery

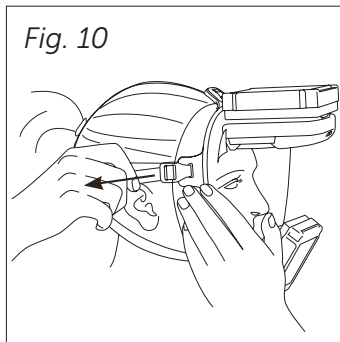
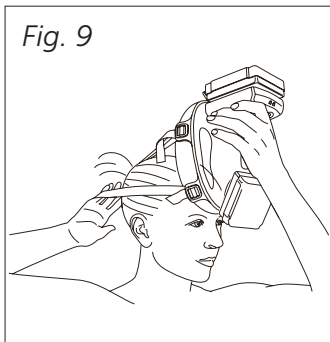
1. Before use, charge both the internal and the external battery.
2. If the indicator light on the battery charger is red, the battery is charging.
3. If the indicator light on the battery charger is green, the battery is fully charged, refer to figure 2.
4. At the moment that both the internal and the external battery are fully charged, perform the following:
 - a. Pull the charging cable through the tri-glide on the harness to make sure the cable has a strain relief and that it proceeds backwards behind the user.
 - b. Remove the screw seal or red tape on the top left of the mask.
 - c. Insert and screw the cable of the external battery to the internal battery, making sure to observe that the pin configuration's meet, refer to figures 3 and 8.
 - d. Connect the cable to the external battery.
5. Use the Tiki medical mask as to the below procedures.
6. After use, unscrew the cable from the internal battery, refer to figure 3.
Do not leave the external battery connected to the internal battery when the mask is not in use.
If not disconnected, the batteries discharge rapidly.
7. Note that the red tape or screw seal in step 4a is to be applied again if the Tiki medical mask is to be used with the internal battery only again, refer to paragraph: 1.4 Prepare the Tiki medical mask on page 7.



4.3 Put the Tiki medical mask on

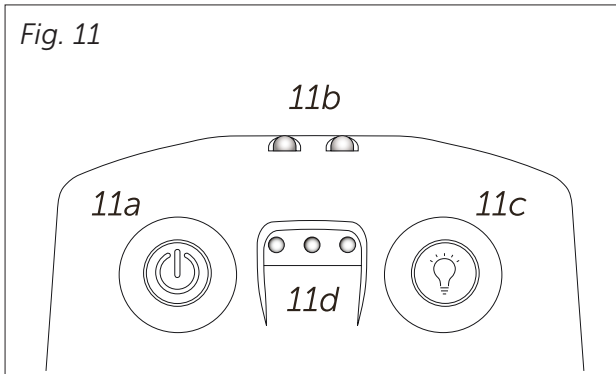
1. If not already done so:
 - a. Read the user manual, entirely.
 - b. Prepare the mask as to the procedure:
 - 3.2 Prepare the mask for use on page 25.
 - c. Charge the battery as to the procedure:
 - 4.1 Charge the batter(y)(ies) on page 28.
2. Before use,
 - a. Calibrate the blower as to the procedure:
 - 4.4 Calibrate the blower on page 31.
 - b. Test that the seal of the mask is tight as to the procedure:
 - 4.6 Testing the mask during use on page 32.
3. Ensure that the mask is cleaned as to the procedure:
 - 5.1 Cleaning the Tiki medical mask on page 35.
4. Check the mask for mechanical integrity, if the Tiki medical mask is not ok, either perform the procedure at:
 - 5.4 on page 38 or dispose the mask as to: 6 Disposal on page 39.
5. Obey the safety indications in chapter 1 and specific to paragraph:
 - 1.3 Before use on page 5.
6. As necessary, tighten long hair in a hair-knot.
7. Loosen the straps of the harness a bit.
8. With one hand, hold the outer front of the mask, refer to figure 9.
9. With the other hand, hold the inner part of the harness, refer to figure 9.
10. Pull with both hands the mask to its widest stretch.
11. Hold both hands with the mask above the head and bring both hands down: the mask in front of the face and the harness to the back of the head.
12. Position the front of the mask to a comfortable position on the face.
13. Tighten the straps of the harness again from top to bottom, refer to figure 10.

Do this to ensure a tight seal between the mask and the face of the user, please note that over tightening makes the mask uncomfortable.



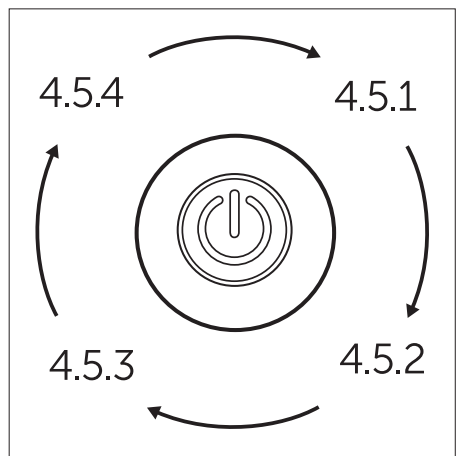
4.4 Calibrate the blower

1. Perform this procedure before using the mask, hence before entering the environment with the hazardous mixtures.
2. To calibrate the blower, push the 'button for the lights' (11c) followed by the 'on / off button' (11a on figure 11) for six (6) seconds until the lights stop flashing.
3. If calibrated, the following occurs:
 - › The red indicator lights flash, refer to 11d on figure 11.
4. Test the seal of the mask as to the procedure: 4.6 Testing the mask during use on page 32.



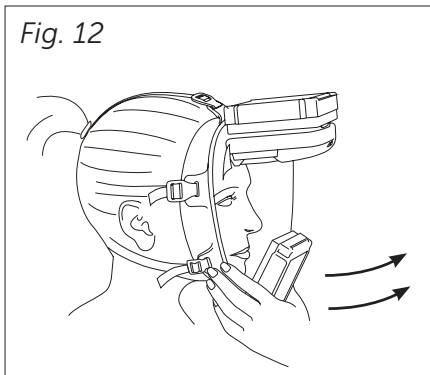
4.5 Adjusting the blower unit speed

1. Press and hold the on/off button for three seconds to start the blower unit. The blower unit will then start in an automatic speed regulated by the breathing.
2. Press the on/off button one additional time to change the speed from automatic speed to low speed.
3. Press the on/off button one additional time to change the speed from low speed to medium speed.
4. Press the on/off button one additional time to change the speed from medium speed to high speed.
5. Press the on/off button one additional time to return from high speed to automatic speed.



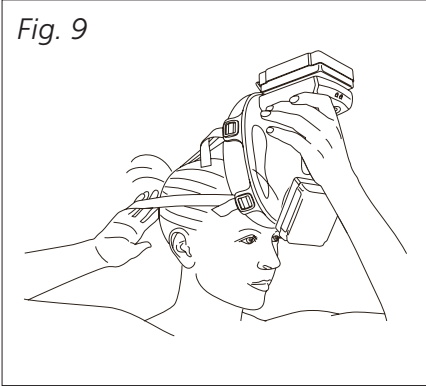
4.6 Testing the mask during use

1. Perform this procedure before using the mask, hence before to enter the environment with the hazardous mixtures.
2. This procedure is to be performed as the mask is on the head of the user, after the procedures: 4.4 Calibrate the blower on page 31, 4.3 Put the Tiki medical mask on, on page 30.
3. If the mask is tight to the face and calibrated, test the warning system by performing the following:
 - a. With one hand pull the mask forward as indicated on figure 12.
Do this to create a leak.
 - b. Verify that the alarm is activated as to sub-paragraph: 2.3.4 Filter warning or leak on page 17.
 - c. If the alarm was not activated, verify that the batteries are fully charged and try calibrating again.
 - d. If the alarm was activated, position the mask again and tighten the straps of the harness again.
4. Note that the test before any use, was to be performed before any use!



4.7 Take the Tiki medical mask off

1. Loosen the straps of the harness slightly.
2. With one hand, hold the outer front of the mask, refer to figure 9.
3. With the other hand, hold the inner part of the harness, refer to figure 9.
4. Pull with both hands the mask to its widest stretch.
5. Bring with both hands, the mask to a position above the head of the user
6. Clean the mask as to the procedure:
 - 5.1 Cleaning the Tiki medical mask on page 35.



5. Maintenance procedures

In the chapters: 3 Procedures before use, 4 Use procedures and 5 Maintenance procedures, every paragraph is a separate, topic-based procedure.

The paragraphs and thus the topic-based procedures are deliberately positioned on one (1) page per one (1) procedure.

This lay-out is intended to enable that the end-user can produce quick reference cards for distribution in their internal organisation.

Mark that at every time, every procedure is a part of this user manual as an integral part of it.



Warning biohazard

In the procedures of the chapters 4 Use procedures and 5 Maintenance procedures, ensure not to contaminate the user to the hazardous mixtures on the outside of the mask.

Note it is under the responsibility of either the user or the organisation that holds responsibility over the user, to elaborate either an applicable procedure or a work order to prevent this risk on contamination.

Follow at all times this procedure and / or work order.

5.1 Cleaning the Tiki medical mask

1. Ensure that the blower is never immersed in fluids.
If automated machines to clean the mask(s) are in use, remove the filter, blower and as necessary the harness from the mask.
2. Prepare the following to clean the Tiki respiratory mask:
 - › A disinfectant agent in regard to the hazardous environment and / or biological agents
 - › A washable brush or paper towels to clean with water
 - › Water and a mild detergent
 - › A bath or sink with water and a (mild) detergent
 - › A tap over a sink with warm running water
 - › A washable cloth to dry
3. Apply the disinfectant agent to the entire mask to remove biological agents.
Obey the instructions of the manufacturer of the disinfectant agent in regard to temperature, time, other treatment etc.
4. To clean the mask, use: a paper towel or brush to clean, the mixture of water and mild detergent.
Do not use any solvents.
5. Immerse the mask in a water bath with detergent.
6. Rinse the mask under warm running water.
7. Either use the cloth to dry the mask or leave the mask to dry in open air.
8. To the procedures of either the user or the organisation that holds responsibility over the user:
 - a. Dispose the cloth and the water with mild detergent.
 - b. Clean the brush.
9. Apply the disinfectant agent to the entire mask again to remove biological agents.
Obey the instructions of the manufacturer of the disinfectant agent in regard to temperature, time, other treatment etc.
10. If necessary, in regard to the hazardous environment and / or biological agents, repeat steps 3 to 9 of this procedure.

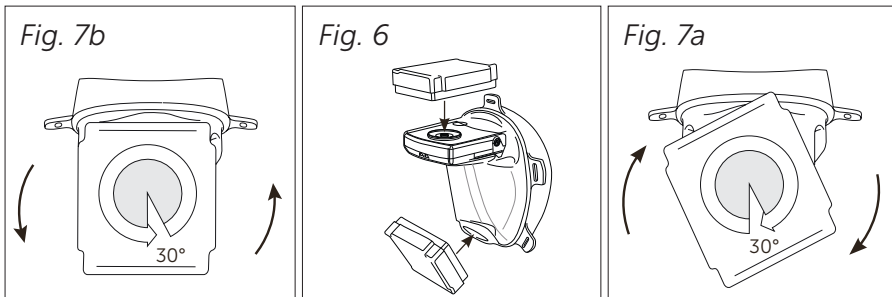
5.2 Replace the inhalation filter (white)

1. If the two (2) lights to the right start to flash and an audible alarm emits every one (1) second, either the following occurred:
 - a. The inhalation filter (white) is blocked.
 - b. A major leak occurred due to another reason.
2. In either cases, the user has to leave the environment with the hazardous mixture and move either self or with aid to an environment that is considered as safe.
3. In a safe environment, evaluate what caused the alarm.

If a leak is determined as cause for the alarm, perform the next procedure to replace the inhalation filter.

If a leak is not determined as cause for the alarm, perform the below procedure to replace the inhalation filter (white).
4. Turn the inhalation filter (white) to a 30° angle as to the blower, refer to figure 7b
5. Lift the inhalation filter (white) from the blower and either:
 - a. Or if the inhalation (white) filter is contaminated with biological agents and / or hazardous substances, treat the inhalation filter to the procedures of either the user or the organisation that holds responsibility over the user.
 - b. Or if the inhalation filter (white) is not contaminated with biological agents and / or hazardous substances, treat the inhalation filter as general plastic waste.
6. Hold the blower on the inside of the mask, position the inhalation filter (white) in a 30° to the blower as to figure 6.

Observe the direction to the face as indicated with the text and arrows:
'This side to the face'.
7. Turn the inhalation filter (white) from the 30° to a 0° angle to attach the inhalation filter (white) to the blower as to figure 7a.



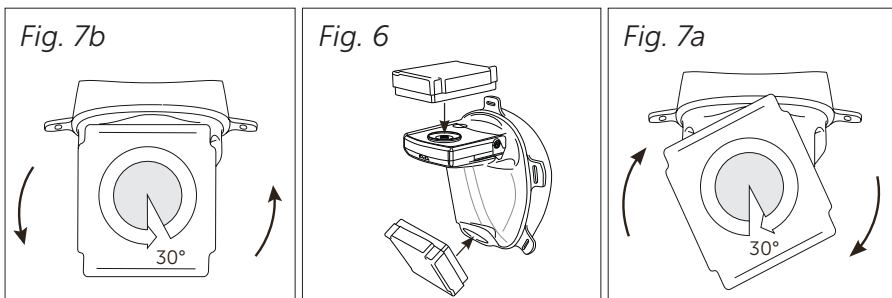
5.3 Replace the exhalation filter (green)

1. There is no alarm for a blocked exhalation filter, however should it be difficult to exhale, check;
 - › The exhalation filter (green) is blocked and a major leak occurred due to overpressure in the mask
2. In that case, the user has to leave the environment with the hazardous mixture and move either self or with aid to an environment that is considered as safe.
3. In a safe environment, evaluate what caused the alarm.

If a leak is not determined as cause for the exhalation resistance perform the procedure to replace the exhalation filter (green):

If a leak is determined as cause for the alarm, two (2) possibilities occur:

 - a. The leak is caused by a mechanical reason to the mask (breach, facial hair, other) to the mask.
 - b. The leak is caused because the exhalation filter is clogged.
4. If the leak can not be determined to a mechanical breach and hence the exhalation filter (green) is clogged, perform the below procedure to replace the exhalation filter (green).
5. Turn the exhalation filter (green) to a 30° angle as to the axes of the mask, refer to figure 7b.
6. Pull the exhalation filter from the Tiki medical mask and either:
 - c. Or if the exhalation filter (green) is contaminated with biological agents and / or hazardous substances, treat the exhalation filter to the procedures of either the user or the organisation that holds responsibility over the user.
 - d. Or if the exhalation filter (green) is not contaminated with biological agents and / or hazardous substances, treat the exhalation filter as general plastic waste.
7. Position the exhalation filter (green) in a 30° to the axes of the mask as to figure 6. Observe the direction to the face as indicated with the text and arrows: 'This side to the face'.
8. Turn the exhalation filter (green) from the 30° to a 0° angle to attach the exhalation filter (green) to the mask as to figure 7a.



5.4 Storage

The Tiki medical mask can be stored for the following periods to the following conditions.

These conditions ensure the integrity of the batteries of both the internal battery and the external battery.

- Long term storage for over (>) six (6) months at 17° C to 28° C at a Relative Humidity (RH) of under (<) 60%.

Note – The Tiki Blower & External Battery contain LiPo cells and like all LiPO batteries they must be maintenance charged a minimum once every six (6) months.

Warning – Always supervise all battery charging and stop immediately should the battery swell, get hot or if it produces smoke or flames.

- Medium term storage for one (1) to six (6) months at 0° C to 38° C at a RH of under (<) 60%.
- Short term storage for less than (<) one (1) month at a temperature between minus (-) 20° C to 40° C at a RH of less than (<) 30%.

6. Disposal

If the Tiki medical mask is used in an environment with dangerous biological agents, dispose the mask as in regard to:

- The MSDS of the agents
- The procedures of the organisation under which responsibility the mask is used
- Other regulations to prevent contamination of the mask to other environments in waste disposal and / or recycle process.

If the device was used in a hazardous environment with potential contamination to other environments in waste disposal and / or recycle process, evaluate whether it is needed to dispose the mask as a hazardous goods.

If so, dispose in accordance to local laws: regional, state, federal and international (as for example EU regulation).

The Tiki medical mask without the blower and the filters is mainly composed of PET and TPE materials and is to be recycled in accordance to local ordinances.

The moment that such disposal is to be done, is to be determined in accordance to either:

- Or regular – periodic scheduled – system-check of the mask
- Or a scheduled at a determined period of use: every X uses, every X weeks etc.

The P3 particle filters are composed of ABS plastic and HEPA fibreglass media.

Dispose in accordance to local laws: regional, state, federal and international (as for example EU regulation).

The blower with the internal battery and the external battery contain electrical equipment and a lithium polymer battery.

Dispose in accordance to local laws: regional, state, federal and international (as for example EU regulation).

The battery charger contains electrical equipment.

Dispose in accordance to local laws: regional, state, federal and international (as for example EU regulation).

7. Standards

The Tiki medical mask adheres to the following standards.

7.1 Reports

7.1.1 Notified body

Tiki Safety AB appointed the independent notified body British Standard Institute (BSI) for the examination on the Tiki medical mask and the production line of the Tiki medical mask in regard to the regulation standards under: 7.3 Regulation standards on page 40.

BSI group (2797): Say Building, John M. Keynesplein 9, 1066 EP Amsterdam, Netherlands.

The independent notified body carried out verifications and tests to verify:

- The conformity of the Tiki medical mask
- The production line of the Tiki medical mask

both in regard to the applicable essential health and safety requirements and the relevant protection class.

The reports, calculations, inspections and examinations on these tests that are carried out, are available as to the specifications of EU 2016/425 on request to Tiki Safety AB, refer to: www.tikisafety.com.

7.1.2 External body

The Research Institutes of SwEden (RISE) performed tests on the Tiki respiratory mask towards the ability and efficiency to clean the Tiki respiratory mask and effectively remove the biohazardous particles of hazardous mixtures.

The results of these tests were positive.

7.1.3 Performance test

To ensure the conformity of the Tiki medical mask in the production, Tiki Safety AB performs a vacuum test on every mask.

Tiki Safety AB performs these tests on every mask to ensure the conformity of the Tiki medical mask manufactured with the design specifications.

For the description of the performance test, refer to sub-paragraph:

2.4.3 Performance tests on page 19.

7.2 Protection class

The Tiki medical mask holds the protection class:

EN 12942 TM3P R SL, CE 2016 / 425.

Tiki Safety AB and the notified body performed an assessment on the risks against which the Tiki medical mask is intended to protect.

A report on this risk assessment is part of the reports as indicated in paragraph: 7.1 Reports on page 40.

The markings on the filter as indicated in paragraph: 2.5 Pictograms on page 20 are to EN 12942, do not confuse to any other European standard or other standard.

7.3 Regulation standards

The Tiki medical mask and this manual to it are in accordance to:

- The high-standard specifications of Tiki Safety AB
- Regulation (EU) 2016 / 425 on Personal Protective Equipment (PPE)
Mark that regulation (EU) 2016 / 425 on PPE replaces the previous directive: 89 / 686 / EEC.
 - › Annex III of the PPE regulation 2016 / 425
 - › Annex II of the PPE regulation 2016 / 425
- ISO 13688 – 2013
- EN 12942:1998/A2:2008

As the Tiki medical mask applies fully to the above regulation standards, there are no other harmonised standards or descriptions of other technical specifications that have been applied in order to satisfy the applicable essential health and safety requirements.

7.4 Patented design

The Tiki medical mask is a patented design that is worldwide protected under patent number: D755953.



7.5 CE

As the Tiki medical mask is certified and tested to the regulation standards as under paragraph:

7.3 Regulation standards on page 41 and adhered to an CE examination in accordance to EU 2016/425, it bears a CE marking.

7.6 Declaration of conformity



**EC-DECLARATION OF CONFORMITY
EG-KONFORMITÄTSEKTLÄRUNG
DÉCLARATION DE CONFORMITÉ CE
CE-CONFORMITEITSVERKLARING**

This Declaration of Conformity is issued under the sole responsibility of the Manufacturer:

The manufacturer
Der Hersteller
Le fabricant
De fabrikant

**Tiki Safety AB
Skällstavägen 9
SE-19740 Bro
Sweden**

declares that the new Personal Protective Equipment (PPE) described hereafter
erklärt hiermit, daß die nachstehend beschriebene neue Persönliche Schutzausrüstung (PSA)
éclare que l'Equipement de Protection Individuelle (EPI) neuf décrit ci-après
verklaart dat het hierna beschreven nieuwe Persoonlijke Beschermingsmiddel (PBM)

**Full face mask TIKI Respirator
Vollmaske TIKI Respirator
Masque-complet TIKI Respirator
Volgelaatmasker TIKI Respirator**

is in conformity with the provisions of PPE Regulation 2016/425 (EU) and with the harmonized standard **EN 12942:1998+A1:2002+A2:2008 Klasse TM3** and is identical to the PPE which was subject of the EC type examination certificate **Nr. 729233** issued by:

übereinstimmt mit den Bestimmungen der Richtlinie 2016/425 (EU) und übereinstimmt mit der harmonisierten Norm **EN 12942:1998+A1:2002+A2:2008 Klasse TM3** sowie identisch ist mit der PSA, die Gegenstand der EG-Baumusterprüfbescheinigung **Nr. 729233** war, ausgestellt von:

est conforme aux dispositions de la directive 2016/425 (EU) et à la norme harmonisée **EN 12942:1998+A1:2002+A2:2008 Klasse TM3** et est identique à l'EPI ayant fait l'objet de l'attestation CE de type **Nr. 729233** délivrée par:

conform is aan de eisen van Richtlijn 2016/425 (EU); conform is aan de eisen van de Europese geharmoniseerde norm **EN 12942:1998+A1:2002+A2:2008 Klasse TM3**; identiek is aan het PBM, volgens "CE"-type-onderzoek **Nr. 729233** uitgegeven door:

**BSI Group (2797)
Say Building
John M. Keynesplein 9
1066 EP Amsterdam
Netherlands**

und dem Verfahren unterliegt nach Artikel 19 Modul C2 (CE 729234) der Verordnung (EU) 2016/425 unter der Kontrolle der gemeldeten Stelle:

is subject to the procedure set out in article 19 module C2 (CE 729234) of Legislation (EU) 2016/425 under the supervision of the notified body:

est soumis à la procédure visée à article 19 module C2 (CE 729234) de réglementation (UE) 2016/425 sous le contrôle de l'organisme notifié:

en volgens artikel 19 module C2 (CE 729234) van de verordening (EU) 2016/425 onderworpen is aan het toezicht van de genotificeerde organisatie:

**BSI Group (2797)
Say Building
John M. Keynesplein 9
1066 EP Amsterdam
Netherlands**

Stockholm, 2020-10-29

Mikael Klockseth
CEO

8. Warranty

The Tiki medical mask has been manufactured and tested to the highest possible quality standards by Tiki Safety AB.

Tiki Safety AB warrants that this product is free from defects in materials or workmanship provided that the product has been used in accordance with Tiki Safety AB's, from time to time, given instructions.

This limited warranty offered by Tiki Safety AB covers defects in materials or the performance of Tiki Safety AB's products that have occurred and been notified within the warranty period as instructed, and provided that the requirements otherwise are met.

This warranty applies only to the original purchaser and must not be transferred. Only consumers that purchased Tiki Safety AB's products from authorized Tiki Safety AB retailers or resellers, or through Tiki Safety AB are covered by this limited warranty.

Note that the warranty period may vary depending on local laws where the product was originally marketed. Please contact your local distributor/retailer in each country to ensure which warranty applies to you as a final consumer.

The following warranty periods apply:

- PAPR Blower Unit, excluding consumables: 1 year from date of purchase
- Batteries & Battery charger: 1 year from date of purchase

No warranty applies to the following:

- Consumables (no warranty):
 - > Visor
 - > Harness
 - > Filter

Tiki Safety AB undertakes, within the framework of the warranty, to rectify any defective products as follows:

- Tiki Safety AB will, free of charge, in its sole discretion, replace the entire or part of the product which, during its intended use, proves to be defective due to poor manufacturing and/or materials.
- If Tiki Safety AB chooses not to provide a replacement, and repair is not deemed possible or can be carried out in a reasonable manner, Tiki Safety AB may choose to refund the purchase price in exchange for the return of the product.

The warranty does not cover problems caused by:

- A. Conditions, malfunctions or damage not resulting from defects in materials or workmanship.
- B. Conditions, malfunctions or damage caused by abnormal wear, improper installation, improper maintenance, improper use, external damage, negligence, accident or modification.
- C. Accessories, connected materials and products, or related products not manufactured by Tiki Safety AB.

This limited warranty is void if a product is returned with removed, damaged or tampered labels or other alterations (including removal of any component or cover).

Tiki Safety AB will only grant warranty claims made in compliance with all terms of the warranty statement accompanying your product and where the correct return procedure is followed.

To invoke the warranty, you must provide the following:

1. The sales receipt or other evidence of the date and place of purchase.
2. A clear description of the problem.
3. Delivery of the product or defective part carefully packed, postage prepaid, insured and with transport tracking.

Once Tiki Safety AB or its agents/representatives have completed the warranty service, all repaired or replaced products or parts will be returned to you with postage prepaid.

For information on how to contact the customer service department, visit

www.tikisafety.com.

REPAIR OR REPLACEMENT (OR, IN LIMITED CIRCUMSTANCES, REFUND OF THE PURCHASE PRICE) IN ACCORDANCE WITH THE TERMS OF THIS WARRANTY IS THE EXCLUSIVE REMEDY OF THE PURCHASER. TIKI SAFETY AB NEITHER UNDERTAKES NOR AUTHORIZES ANY PERSON TO TAKE ON ANY OTHER OR ADDITIONAL LIABILITY IN CONNECTION WITH THIS PRODUCT ON ITS BEHALF.

TIKI SAFETY AB CANNOT BE HELD LIABLE TO THE BUYER OR ANY OTHER PERSON FOR ANY MINOR OR SPECIAL OR CONSEQUENTIAL DAMAGES ARISING FROM WARRANTY BREACHES, NOR FOR ANY IMPLIED WARRANTIES (INCLUDING BUT NOT LIMITED TO ANY WARRANTIES OF MERCHANTABILITY).

Copyright Notice and Disclaimer

Tiki Safety AB makes no representations or warranties with respect to the contents hereof. In addition, information contained herein are subject to change without notice. Every precaution has been taken in the preparation of this manual. Nevertheless, Tiki Safety AB assumes no responsibility for errors or omissions or any damages resulting from the use of the information contained in this publication. Any times/measurements in this manual are taken under optimal conditions. Charging times and operational times may vary depending on temperature, filter type, amount of particles in the air, heavy breathing etc. All rights reserved. No parts of this manual may be reproduced in any form without the express written permission of Tiki Safety AB.

All illustrations and text in this user manual are subject to copyright © 2020. All products are patented worldwide. Pat.No. D755953.

9. Order numbers of parts

The following packs or parts can be ordered to the below part numbers.

A 'starter pack' contains all parts to compose one complete Tiki medical mask that is ready for use, this includes the following:

- Mask (visor) with attached seal collar and installed exhalation valve
- Inhalation filter
- Blower
- Harness
- Chin protection
- Exhalation filter
- Battery charger
- Screw seal

All items are shipped in carton board boxes that are specifically designed to contain the indicated.

All orders are shipped EX Works (EXW), this means that Tiki Safety AB makes the ordered products available at their facility and the buyer can trust on the services of their preferred logistics partner and thus take the transport costs.

Product name	Part number
Tiki Medical Starter pack, small mask	1200-51
Tiki Medical Starter pack, medium mask	1200-52
Tiki Medical Starter pack, large mask	1200-53
Tiki Medical Mask 5 pack, small	1210-51
Tiki Medical Mask 5 pack, medium	1210-52
Tiki Medical Mask 5 pack, large	1210-53
P3 Inhalation filter (white), 2 pcs	1005-51
P3 Inhalation filter (white), 120 pcs	1005-52
P3 Exhalation filter (green), 2 pcs	1005-56
P3 Exhalation filter (green), 120 pcs	1005-57
External battery pack	1007-51
Universal car charger 12 – 24V	1080-51
Harness, 5 pcs	1012-51

Fig. 1

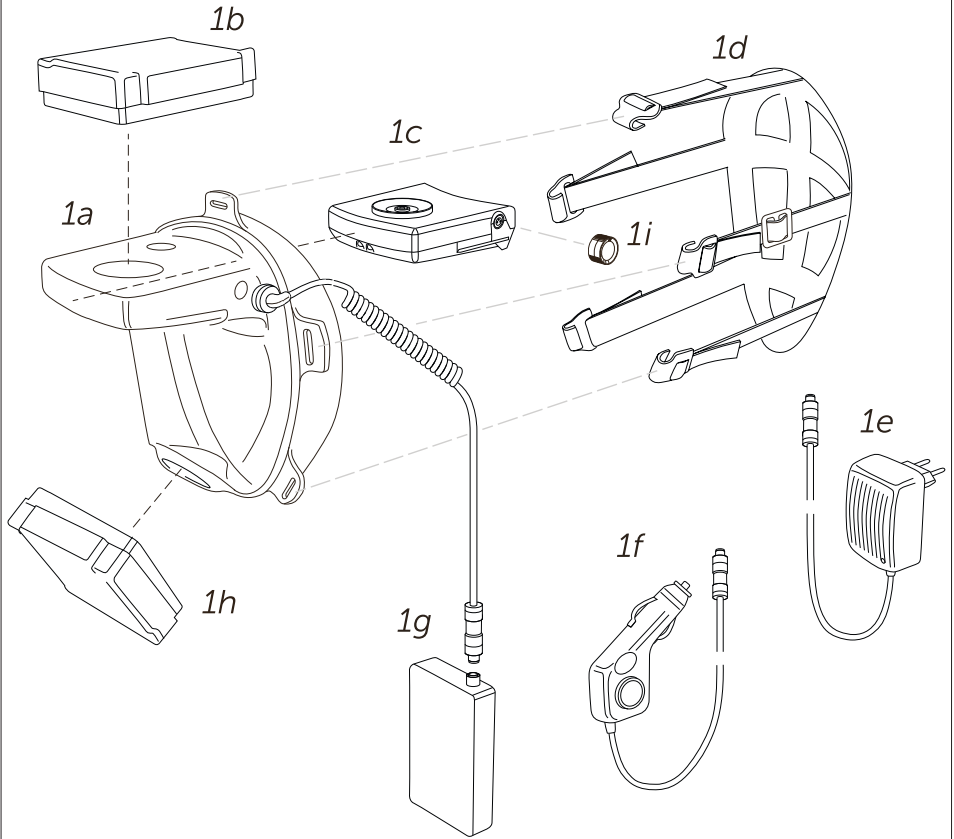


Fig. 2

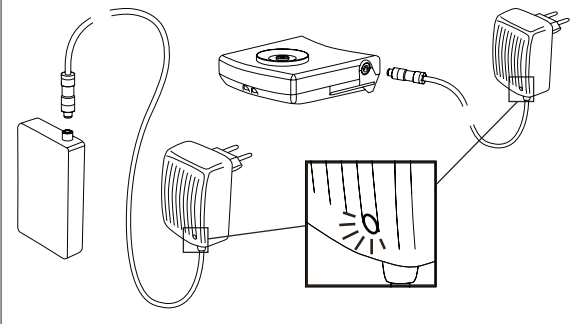


Fig. 3

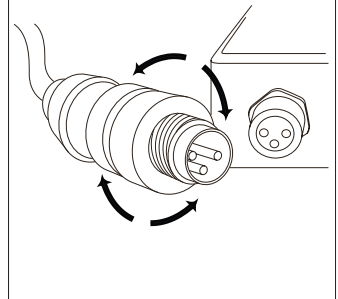


Fig. 4

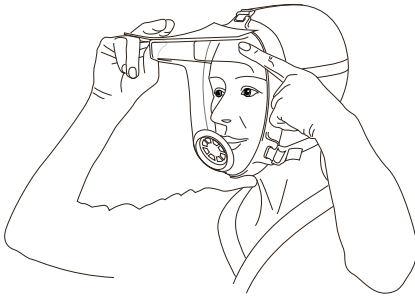


Fig. 5

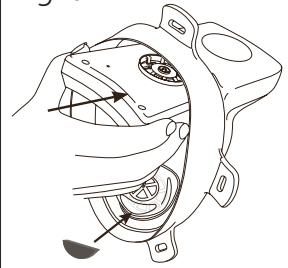


Fig. 6

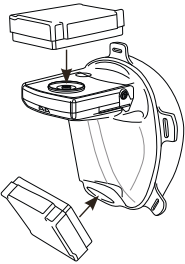


Fig. 7a

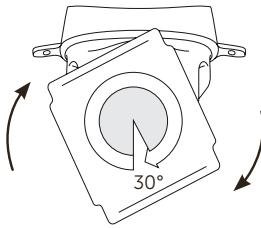


Fig. 7b

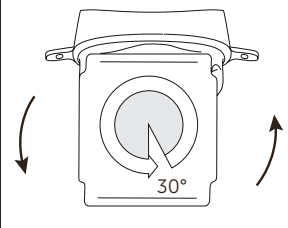


Fig. 8

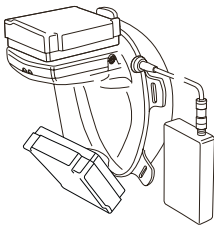


Fig. 9



Fig. 10

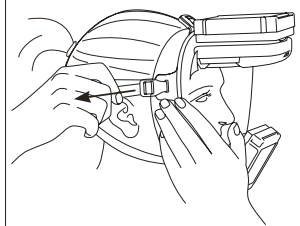


Fig. 11

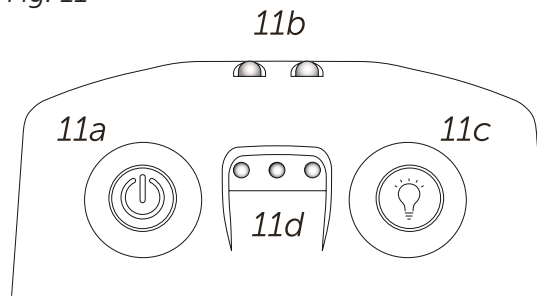
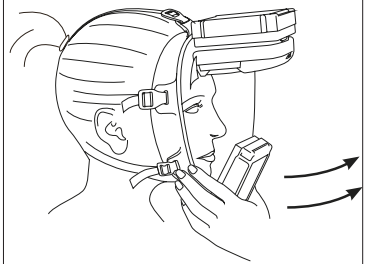
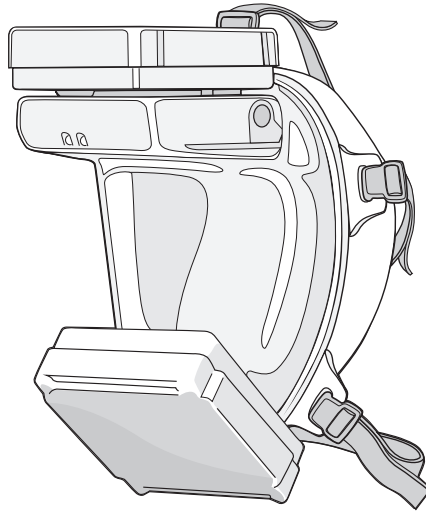


Fig. 12





General enquiries: info@tikisafety.com
Sales related questions: sales@tikisafety.com
Convinced: order@tikisafety.com
+46 8 35 32 49
Tiki Safety AB
Skällstavägen 9
SE-197 40 Bro, Sweden
www.tikisafety.com

English Manual

The Tiki medical mask is designed and manufactured in Sweden.